

RATIONALE

AS4375C HAS BEEN REAFFIRMED TO COMPLY WITH THE SAE FIVE-YEAR REVIEW POLICY.

REV.  
C

SAE AS4375

SAE Technical Standards Board Rules provide that: "This report is published by SAE to advance the state of technical and engineering sciences. The use of this report is entirely voluntary, and its applicability and suitability for any particular use, including any patent infringement arising therefrom, is the sole responsibility of the user."

SAE reviews each technical report at least every five years at which time it may be revised, reaffirmed, stabilized, or cancelled. SAE invites your written comments and suggestions.

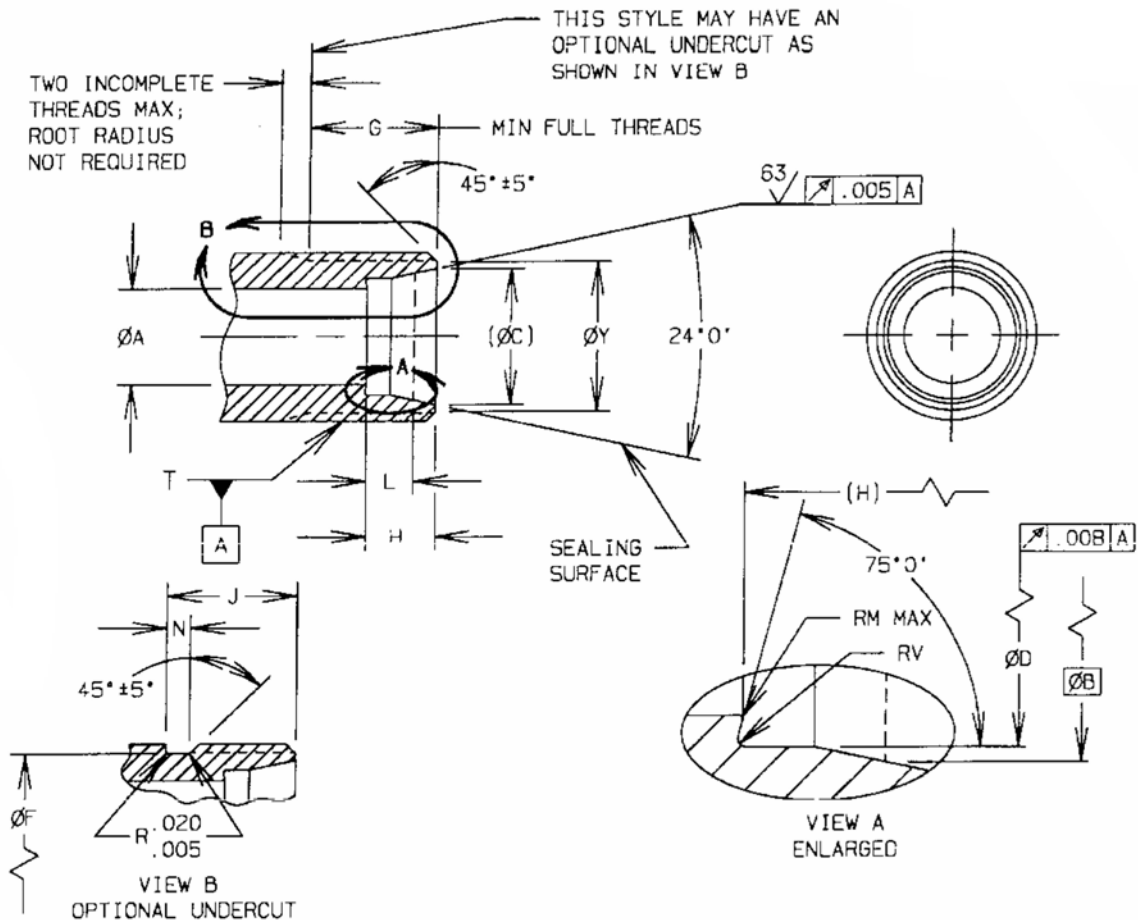
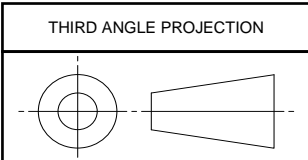


FIGURE 1 - FITTING END DESIGN, STYLE G

SAE values your input. To provide feedback on this Technical Report, please visit <http://www.sae.org/technical/standards/AS4375C>



CUSTODIAN: G-3/G-3B		PROCUREMENT SPECIFICATION: NONE /1/	
<p>An SAE International Group</p>	<b>AEROSPACE STANDARD</b>		<b>SAE AS4375</b> SHEET 1 OF 3
	FITTING END, FLARELESS, DESIGN STANDARD		

ISSUED 1992-07 REVISED 2003-05 REAFFIRMED 2013-01